



INSTRUCTIONS FOR USE

IMPORTANT INFORMATION

- ▲ Maximum weight limit is 600 pounds.
- ▲ Read and follow all instructions before use.
- ▲ Do not use if ramp is damaged or unstable.
- ▲ It is important that you refer to your equipment's (wheelchair or scooter) User Guide for the proper degree of incline or decline and chair direction before attempting ramp use. Never exceed its recommendations.
- ▲ Use ramp only with a qualified helper and always use your lap belt.

GETTING STARTED

1. The self-supporting, adjustable threshold ramp is made of aluminum and can be used with or without the provided adjustable legs. Foam, rubber, or other protective material may be put on the bottom of the ramp to protect certain floor surfaces.
2. Use the chart below to view the different rise ranges (adjustable range is determined by use of foot size). Measure the rise required to determine if the adjustable swivel legs are needed. NOTE: The THSS 24 comes with two sizes of legs.

Part No.	No Swivel Feet	1" Swivel Feet	1-1/2" Swivel Feet	2-1/2" Swivel Feet
THSS 12	1-1/4"	1-3/4" to 2-1/4"	n/a	n/a
THSS 24	1-7/8"	n/a	2-1/4" to 3-1/4"	3-3/16" to 4-1/4"

3. Position the ramp and adjust legs as needed to obtain correct height (DIAGRAM 1). Adjust legs as needed to ensure that both legs are in contact with the ground.
4. It is recommended that the ramp be securely anchored. Attach the ramp to the threshold or landing by placing provided screws into two holes at the bottom of the ramp (DIAGRAM 2). NOTE: Wood screws, sheet metal screws, or concrete bolts may be necessary, depending on the application.

SAFETY AND MAINTENANCE

1. Regularly check ramp for damage and tighten any loose fasteners.
2. Keep ramp surface clear of ice, snow, dirt, leaves, and other debris. For snow or ice, remove accumulation and sweep surface clean. To remove dirt, leaves, and other debris, sweeping the surface or using a garden hose will usually suffice. If needed, use a damp cloth or soft brush with non-alkaloid detergent and water. Rinse well and use extra caution if ramp surface is wet.

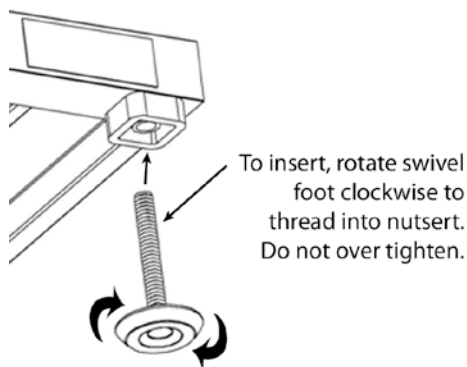


DIAGRAM 1

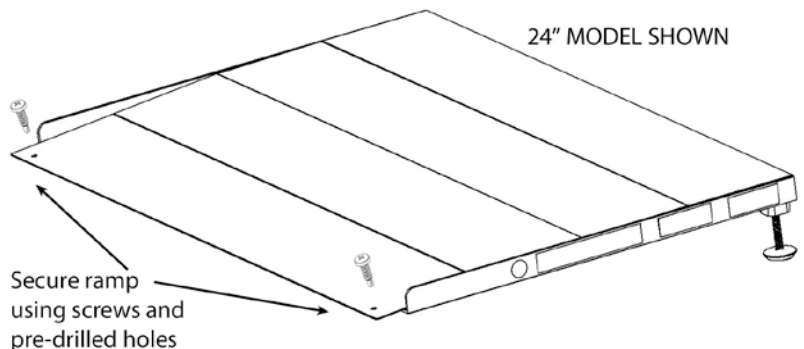


DIAGRAM 2